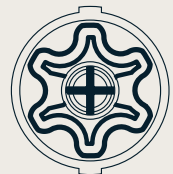


**CHERUBINI**  
tocco italiano dal 1947

# PLUG & PLAY SAFE EASY



Compact motor for second escape routes



## Plug&Play Safe Easy



Compact motor  
for second escape routes

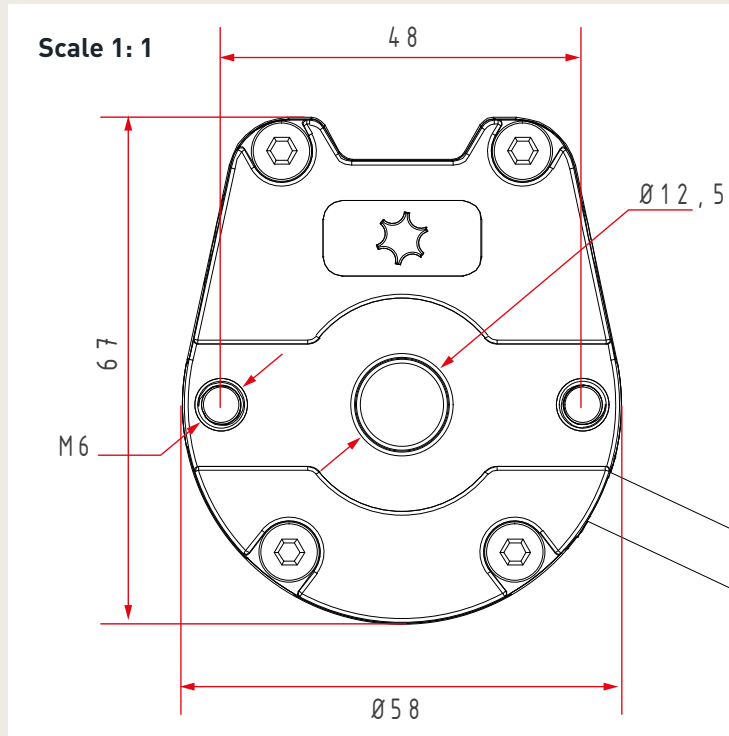
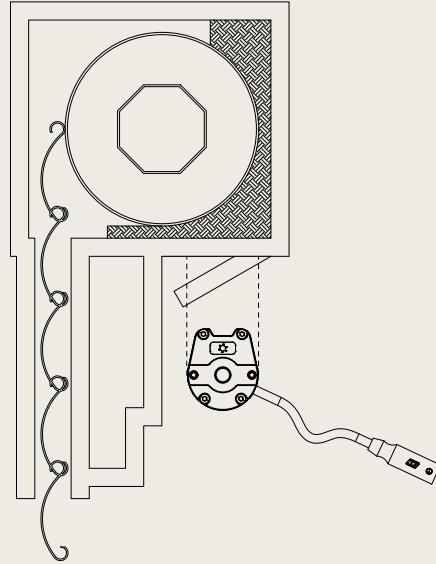
Reduced head size with manual override means that it can also be installed in small spaces.

- > **Wired motor for rolling shutters** with electronic limit switch and manual override with 1:15 reduction ratio.
- > **Easy installation** by inserting the motor into the tube and connecting the connector.
- > **Easy connector with black neoprene cable** for fast on-site installation.
- > **Automatic regulation of the limit switch:** suitable for rolling shutters with hard hangers and mechanical locks.
- > **Limit switch self-learning feature** after manual adjustment with manual override.
- > **Obstacle detection when ascending and descending.**
- > **Protection against freezing:** the motor will not operate if the guides and/or slats are frozen.
- > **Suitable for connecting in parallel.**

## Plug&Play Safe Easy

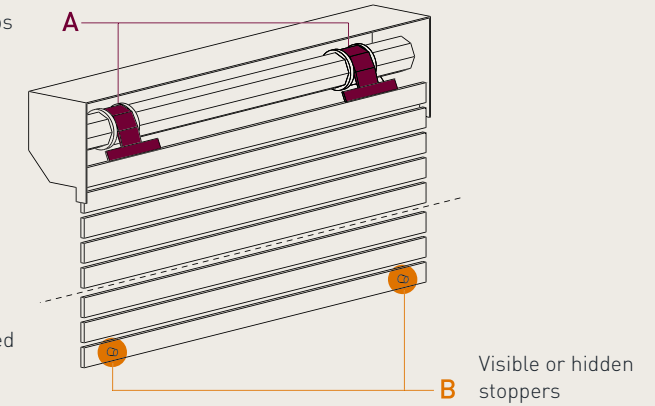
### > Head with compact override

Thanks to its small size, this device can be installed in limited spaces. Optimised manual override function for faster opening with a 1:15 reduction ratio.



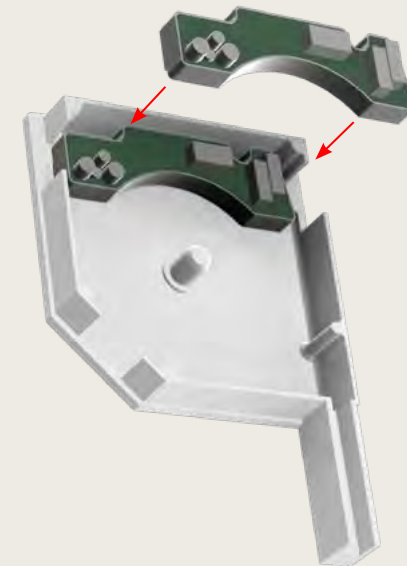
### > Automatic adjustment of the limit switches

Safety or end stops



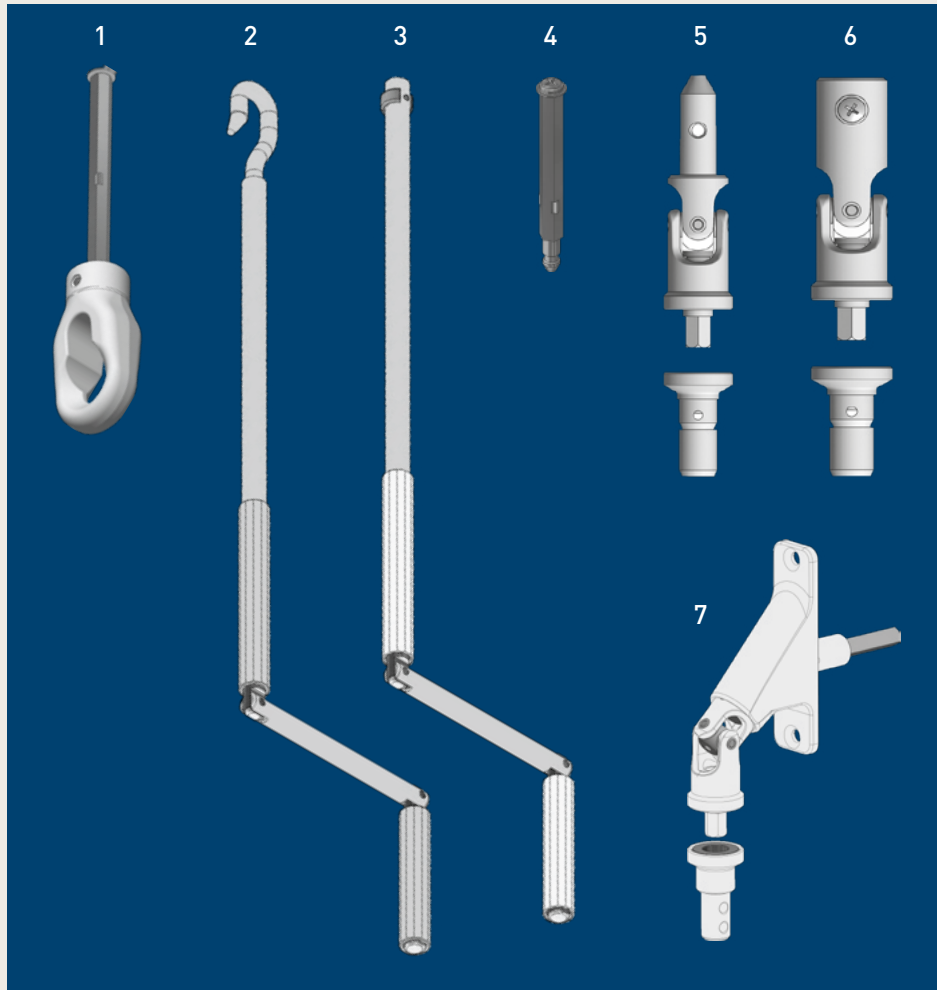
### > Radio motor with manual override

In combination with the Optime Easy control unit, Plug&Play Safe Easy becomes a wireless motor, operated by remote control. The Easy connector guarantees a faster connection.



## Plug&Play Safe Easy

### Accessories for manual override operation



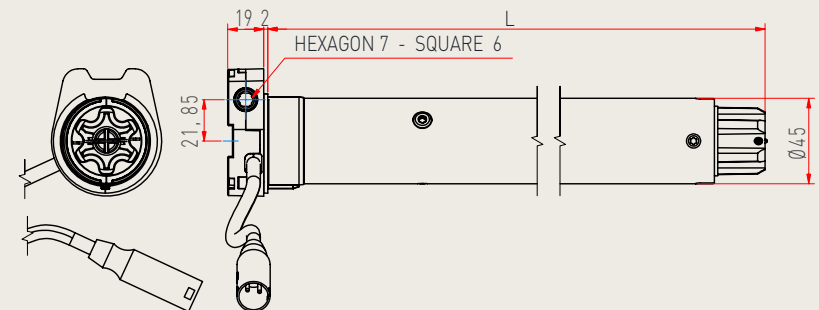
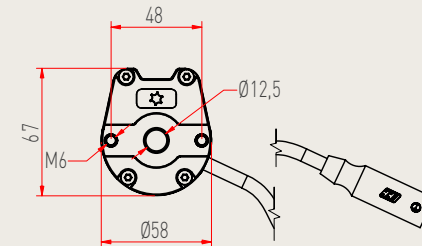
- 1 > Eye with hexagon 7 × 86 mm. Ref. 6010 7008 CH16
- 2 > Foldable crank with hook, length 150 cm. Ref. 7463 150G 210
- 3 > Foldable crank with assembled tube length 150 cm Ref. 7461 150 N 1606A
- 4 > Hexagonal pole 7 w/50 mm protrusion+screw Rif. 6015 7005
- 5 > Magnetic joint. Ref. 1498 7016 + 8056 M12
- 6 > Magnetic joint. Ref. 1498 7016 + 8056 V13
- 7 > 90° magnetic universal joint + magnetic gear reduction.  
Ref. 7840 7038 CA16 + 7844 12CA16

## Plug&Play Safe Easy

### Technical features

Code	Head	Torque	Speed	L (mm)	Certifications
CEK45061700	Zama	6 Nm	17 rpm	531	CE
CEK45101700	Zama	10 Nm	17 rpm	546	CE

### Dimensions



Black neoprene cable provided separately from the motor. Choose the suitable length for the cable:

- A4503\_OJ02 lenght 1 m
- A4503\_OJ03 lenght 2 m
- A4503\_OD66 lenght 3 m
- A4503\_OD67 lenght 5 m
- A4503\_OD68 lenght 10 m

### Compatible systems

Direct compatibility

A510023 Blue Bus

A510024 Blue Bus Rx

A510040 Optime Easy

A510027 / A510028 / A510029 Timer

Cross compatibility



Blue Bus RX

Optime Easy

All Cherubini remote control

Domotic TX Transmitter

### Motor wire



# CHERUBINI

tocco italiano dal 1947

## CHERUBINI S.p.A.

Via Adige 55  
25081 Bedizzole (BS) / Italy  
Tel. +39 030 6872.039  
Fax +39 030 6872.040  
info@cherubini.it  
www.cherubini.it

<http://www.linkedin.com/company/cherubini-spa>  
<http://www.facebook.com/CherubiniSpa/>  
<http://www.youtube.com/user/CherubiniSpa>



## CHERUBINI France S.a.r.l.

ZI Du Mas Barbet  
165 Impasse Ampère  
30600 Vauvert / France  
Tel. +33 466 77 88 58  
Fax +33 466 77 92 32  
info@cherubini.fr  
www.cherubini.fr

## CHERUBINI Iberia S.L.

Avda.Unión Europea 11-H  
Apdo.283 - P.I. El Castillo  
03630 Sax. Alicante / Spain  
Tel. +34 966 967 504  
Fax +34 966 967 505  
info@cherubini.es  
www.cherubini.es

## CHERUBINI Deutschland GmbH

Siemensstrasse 40  
53121 Bonn / Germany  
Tel. +49 (0) 228 962 976 34 - 35  
Fax +49 (0) 228 962 976 36  
info@cherubini-group.de  
www.cherubini-group.de

## CHERUBINI DongGuan Ltd

Add.: No.4 Building,  
BaoMa Road - ShuiBian  
HengLi - DongGuan / China  
Tel. +86 (0) 769 8337 3981  
Fax +86 (0) 769 8337 2896  
info@cherubini.cn  
www.cherubini.it

## CHERUBINI Türkiye

Ritim Istanbul  
D-100 Güney Yanyolu  
Cevizli Mahallesi, Zuhul Caddesi  
34846 Maltepe - Istanbul / Turkey  
Tel/Fax +90 (0) 216 515 6287  
info@cherubini.com.tr  
www.cherubini.com.tr